

<h2>Air Filters</h2>	<h2>AF series</h2>
----------------------	--------------------

Thank you for selecting KONAN product.
Before installation and use of the products, please read this Service Instructions for proper handling.

Standard Specifications

Model code	Standard type	AF2-02		AF21-04		AF2-08		AF2		
	Panel-mount type			AF21P-04		AF2P-08				
	Corrosion-resistant type			AF21S-04		AF2S-08		AF2S		
	Panel-mount · Corrosion-resistant			AF21PS-04		AF2PS-08				
Port size	6A	8A	8A	10A	15A	20A	25A	32A	40A	50A
	Rc 1/8	Rc 1/4	Rc 1/4	Rc 3/8	Rc 1/2	Rc 3/4	Rc1	Rc1 1/4	Rc1 1/2	Rc2
Operating pressure	0~1MPa									
Operating temperature	-20~60°C		General purpose -20~60°C / Heat-resistant 5~100°C Freeze-resistant -40~45°C					-20~60°C		

- NPT type pipe screw is available.
- For specifications other than those listed above, please contact us.

Before Installation

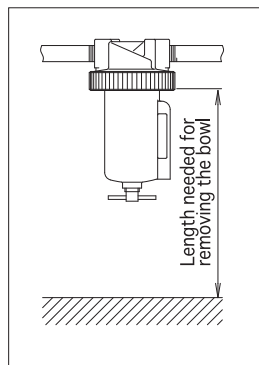
- Do not leave the units unpacked at the place where they are exposed to water and dusts.
- Do not remove the plugs at the ports until just before piping.

Handling Precautions

(1) Installation site

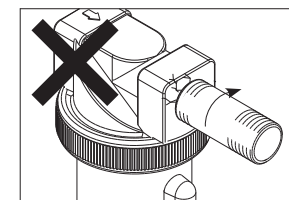
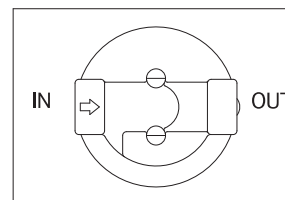
- Install the unit as far from the air source as possible.
- Do not use the unit at the place where aluminum corrosion is anticipated or the unit is exposed to salt water and other liquids.
- Avoid installation of the unit at the site affected by frequent vibration and shock.

(2) Mounting



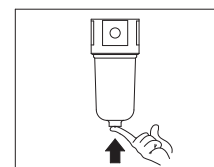
- For maintenance of elements, install the unit so that the bowl of the filter can be removed. Refer to the product drawing for the length needed for removing the bowl.
- Install the unit so that the drain exhaust port is placed downward.

Piping Precautions



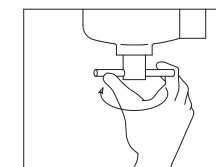
- Make sure to properly connect the ports.
- Use piping elements (pipes and tubes) with the port size same as or larger than the nominal diameter.
- When connecting piping elements (pipes and joints), be careful not to screw in excessively (4- to 5-thread screwing is enough).
- After piping sufficiently perform air flushing to remove dusts, rusts, sealing scraps, oil, etc.

Drain Exhaustion



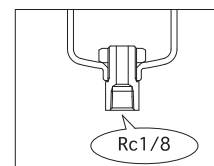
AF2-02

- Push up the push rod of the drain valve.



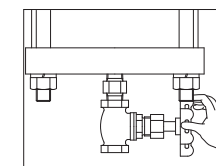
Standard/

- Corrosion-resistant type
- Turn the handle of the drain cock counterclockwise; the pressure in the bowl will cause the drain to be discharged.



Panel-mount type

- Rc 1/8 thread is machined in the body. Connect the drain discharge pipe or tube to this thread.



Rc1_1/4 and above type

- Loosen the stop valve; the pressure in the bowl will cause the drain to be discharged.

- See back page for disassembly/assembly procedure.
- For questions please contact the nearest Konan branch office.

Konan Electric Co., Ltd.

URL=<https://www.konan-em.com/>

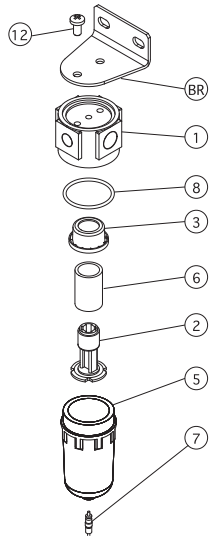
Tokyo Branch
Shiba-Sanesu-Wakamatsu Bldg.
7-8, Shiba 4-chome, Minatoku,
Tokyo 108-0014, Japan
Phone:03-3454-1711 Fax:03-3454-8699

Osaka Branch
Hankyu Terminal Bldg.
1-4, Shibata 1-chome, Kitaku,
Osaka 530-0012, Japan
Phone:06-6373-6701 Fax:06-6373-6740

Seibu Branch
Momiji Hiroshima Hikarimachi Bldg.
12-20, Hikarimachi 1-chome, Higashiku,
Hiroshima 732-0052, Japan
Phone:082-568-0071 Fax:082-568-0072

International Operation Division
4-97, Uedahigashimachi, Nishinomiya,
Hyogo 663-8133, Japan
Phone:0798-48-5931 Fax:0798-40-6659

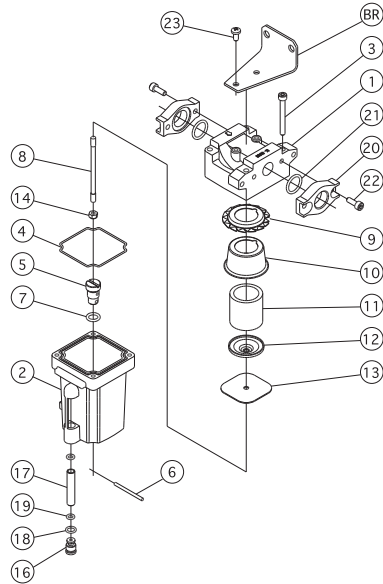
AF2-02



Parts List

No.	Description	Q'ty
1	Body	1
2	Valve seat	1
3	Deflector	1
5	Bowl	1
6	Filter element	1
7	Drain valve	1
8	O-ring	1
12	Bracket mounting screw	2
BR	Bracket	1

AF21-04 · AF21S-04 AF21P-04 · AF21PS-04

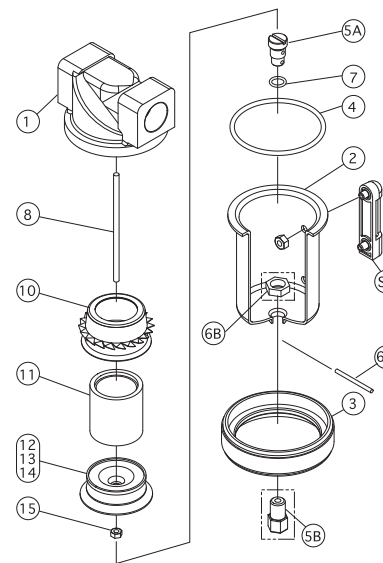


Parts List

No.	Description	Q'ty
1	Body	1
2	Bowl	1
3	Hex socket head cap screw	1
4	Gasket	1
5	Drain cock	1 (*1)
6	Handle	1 (*1)
7	O-ring	1 (*1)
8	Rod	1
9	Deflector	1
10	Guide plate	1
11	Filter element	1
12	Element seat	1
13	Baffle plate	1
14	Locknut	1
16	Bottom cover	1
17	Sight glass	1
18	O-ring	1
19	O-ring	2
20	Plate	2
21	O-ring	2
22	Hex socket head cap screw	4
23	Cross-recessed pan head machine screw	2
BR	Bracket	1

(*1) For AF21 and AF21S

AF2-08 · AF2S-08 AF2P-08 · AF2PS-08

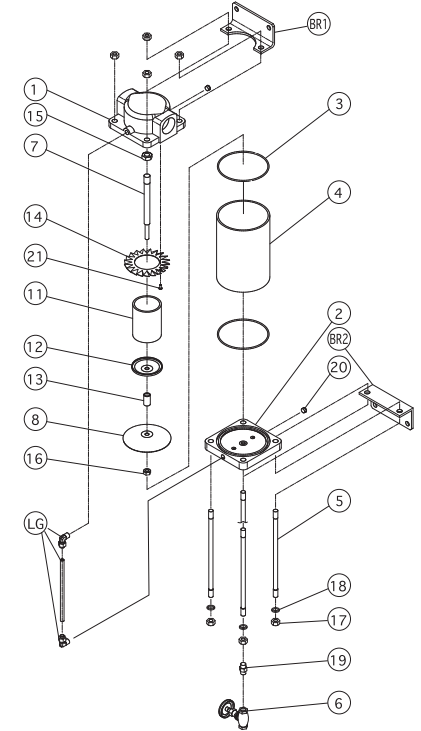


Parts List

No.	Description	Q'ty
1	Body	1
2	Bowl	1
3	Clamp ring	1
4	Gasket	1
5A	Drain cock	1 (*1)
5B	Drain joint	1 (*2)
6A	Handle	1 (*1)
6B	Nut	1 (*2)
7	O-ring	1 (*1)
8	Rod	1
10	Guide plate	1
11	Filter element	1
12	Element seat	1
13	Plate	1
14	Baffle plate	1
15	Locknut	1
SG	Sight glass assembly	1式 (*1)

(*1) For AF2 and AF2S
(*2) For AF2P and AF2PS

AF2-32 · 40 · 50A AF2S-32 · 40 · 50A



Parts List

No.	Description	Q'ty
1	Top cover	1
2	Bottom cover	1
3	Gasket	2
4	Pipe	1
5	Tie rod	4
6	Stop valve	1
7	Rod	1
8	Baffle plate	1
11	Filter element	1
12	Element seat	1
13	Spacer	1
14	Deflector	1
15	Locknut	1
16	Locknut	1
17	Nut	8
18	Spring washer	8
19	Nipple	1
20	Hex socket plug	1
21	Cross-recessed pan head machine screw	1
LG	Tube	1
LG	Male elbow	2
BR1	Bracket for top cover	1
BR2	Bracket for bottom cover	1